

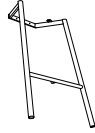
Part # B26-ASHLAND XX+XX

22-0222

PARTS



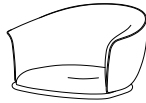
A



B



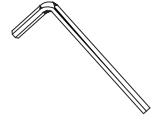
C



D

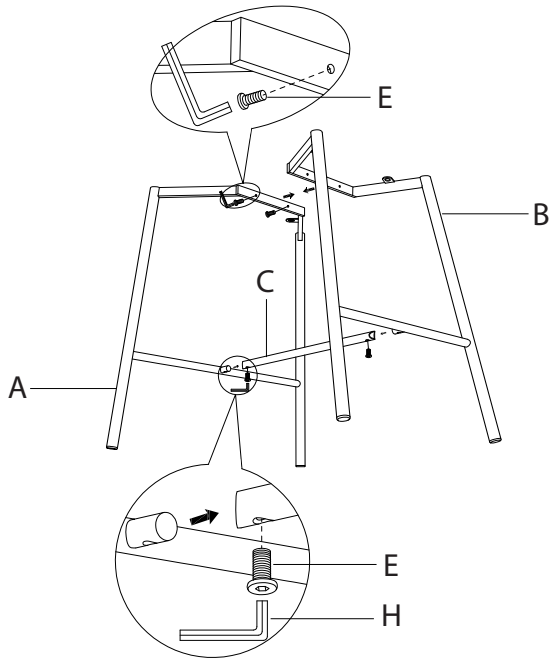


G

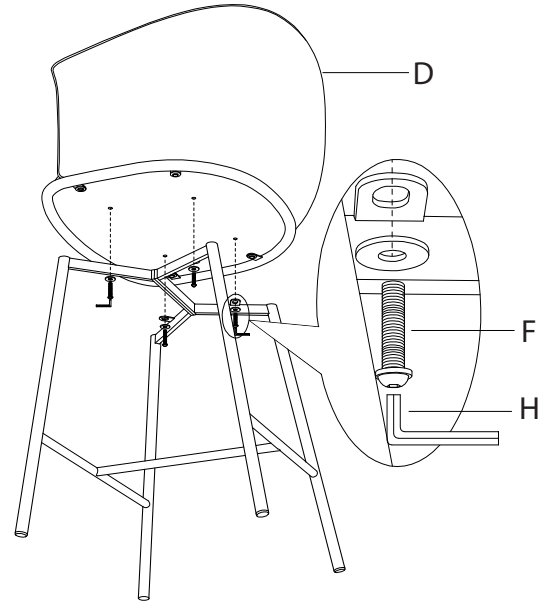


H

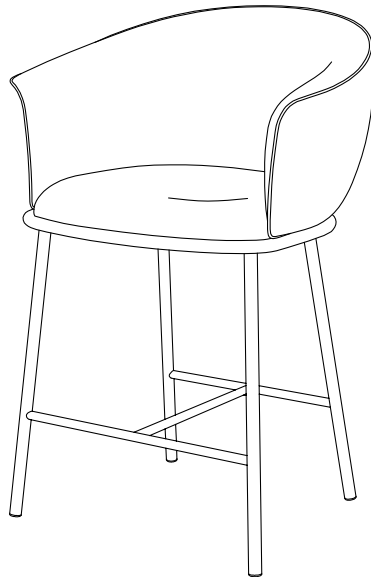
1



2



3



Do not over tighten.
 Do not use power tools to assemble.